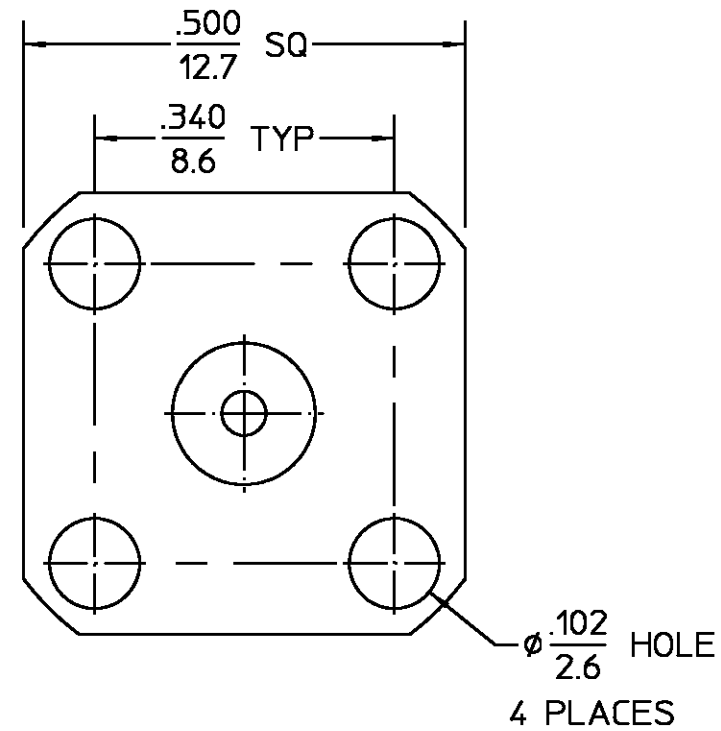


REVISIONS			
REV	DESCRIPTION	DATE	APPROVED
01 0	RELEASED	6/11/98	TWag



ELECTRICAL	MECHANICAL	ENVIRONMENTAL	COMPONENT	MATERIAL	FINISH
Nominal Impedance (Ohms) <u>50</u> Frequency Range (GHz) DC to <u>18</u> Volt Rating (VRMS MAX) @ Sea Level <u>335</u> VSWR <u>1.02 + .005f GHz</u> Insertion Loss (dB MAX) <u>.06 √f GHz</u> RF Leakage (dB MIN) <u>-90 @ 2-3 GHz</u> Corona, 70,000 Ft (VRMS MIN) <u>250</u> Dielectric Withstanding Voltage (VRMS MIN) @ Sea Level <u>1000</u> Contact Resistance (Milliohms MAX) Center Contact <u>2.0</u> Outer Contact <u>2.0</u> Cable to Housing <u>N/A</u> RF High Potential @ Sea Level (VRMS MIN @ 5 MHz) <u>670</u> I.R.(Megohms MIN) <u>5,000</u>	Interface Dimensions MIL-STD-348A, Fig. <u>310-2</u> Recommended Mating Torque <u>7-10 In-Lbs</u> Mating Characteristics: Insertion (MAX Lbs) <u>3.0</u> Withdrawal (MIN Oz) <u>1.0</u> Force to Engage and Disengage (In/Lbs MAX) <u>2</u> Center Contact Captivation Axial (Lbs) <u>6.0</u> Radial (In/Oz) <u>4.0</u> Weight (Grams) <u>TBD</u>	Temperature Rating <u>-65°C To +125°C</u> Vibration MIL-STD-202, Method 204 204, Condition D Shock MIL-STD-202, Method 213, Condition I Thermal Shock MIL-STD-202, Method 107, Condition B, Moisture Resistance MIL-STD-202, Method 106, Except Vibration Shall Be Omitted Corrosion - MIL-STD-202, Method 101, Condition B, 5% salt spray .XXX = in XX.X = mm (REF)	HOUSING DIELECTRIC CENTER CONTACT	STAINLESS STEEL PER ASTM-A484 AND ASTM- A582, TYPE 303 PTFE FLUOROCARBON PER ASTM-D-1457 BERYLLIUM COPPER PER ASTM-B-196 OR ASTM-B-197, ALLOY C17300, CONDITION H	PASSIVATE PER QQ-P-35 N/A GOLD PLATE PER MIL-G-45204
UNLESS OTHERWISE SPECIFIED DIMENSIONS ARE IN INCHES TOLERANCE ON FRAC. DEC. ANGLES ± 1/64 ±.005 ± °			DRAWN BY TIM WAGNER CHECKED BY APPD BY TWag 6/11/1998	DATE 6/11/98	AMP Incorporated 140 Fourth Avenue Waltham, MA 02451-7599
These drawings and specifications are the property of M/A-COM Incorporated and shall not be reproduced or copied or used in whole or in part as the basis for the manufacture or sale of item(s) without written permission.			USE ASS'Y PROCEDURE NO. AP. <u>N/A</u>	TITLE OSM FLANGE MOUNT JACK RECEPTACLE STRAIGHT TERMINAL	
			SIZE B	CODE IDENT NO. 26805	2052-3607-02
			SCALE 5 : 1	REV 01 0	
			SHEET 1 OF 1		

CUSTOMER DRAWING

AMP PART # 1255031-1
 SHEET 1 OF 1 REV A